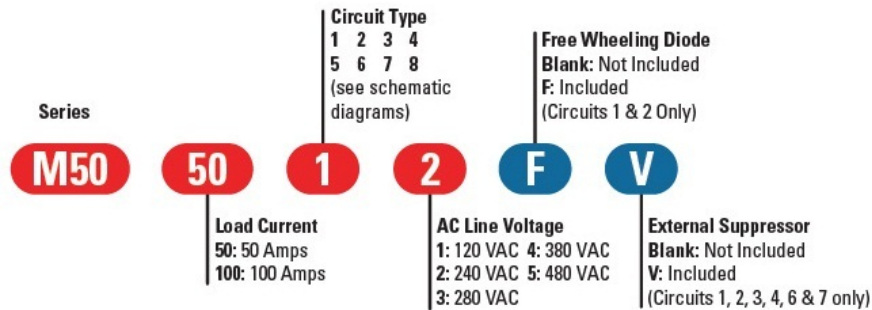


M50 Series



- Over 40KW output Capability
- 8 Different Circuits to Choose from
- 50 and 100A outputs
- UL Recognized E72445

AVAILABLE OPTIONS



● Required for valid part number

● For options only and not required for valid part number

NOTE: Not all combinations available

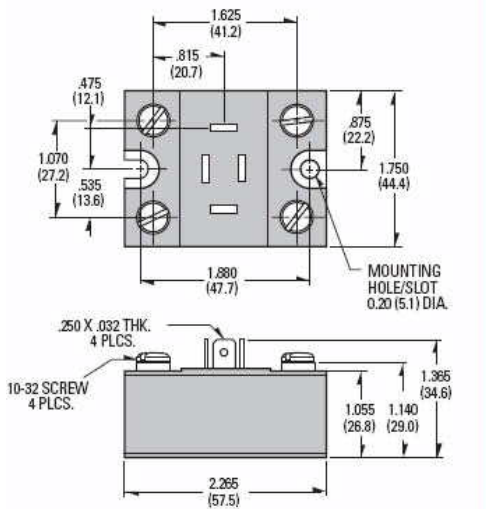
ELECTRICAL SPECIFICATIONS

Description	Symbol	M5050	M50100
Maximum DC Output Current (Tc = 85°C)	I _D	50 A	100 A
Maximum Voltage Drop @ Amps Peak	V _F	1.7V @ 50A	1.4V @ 100A
Operating Junction Temperature Range	T _J	-40 - 125°C	-40 - 125°C
Critical Rate of Rise of On-State Current @ T _J =125°C	di/dt	100A/μs	100A/μs
Critical Rate of Rise of Off-State Voltage [V/μs]	dv/dt	500V/μs	500V/μs
Repetitive Peak Reverse Voltage (AC Line Nominal) [Vpk]	V _{RRM}	400 (120 VAC) 600 (240 VAC) 800 (280 VAC) 1200 (480 VAC)	
Maximum Non-Repetitive Surge Current (1/2 Cycle, 60 Hz) [A]	I _{TSM}	600	1500
Maximum I ² T for Fusing (t=8.3ms) [A ² sec]	I ² T	1500	9350
Maximum Required Gate Current to Trigger @ 25°C [mA]	I _{GT}	150	150
Maximum Required Gate Voltage to Trigger @ 25°C [V]	V _{GT}	3.0	3.0
Average Gate Power [W]	P _{G(AV)}	0.5	0.5
Maximum Peak Reverse Gate Voltage [V]	V _{GM}	5.0	5.0
Maximum Thermal Resistance, Junction to Ceramic Base per Chip [°C/W]	R _{JC}	0.7°C/W	0.36°C/W
Isolation Voltage [Vrms]	V _{ISOL}	2500	2500

GENERAL SPECIFICATIONS

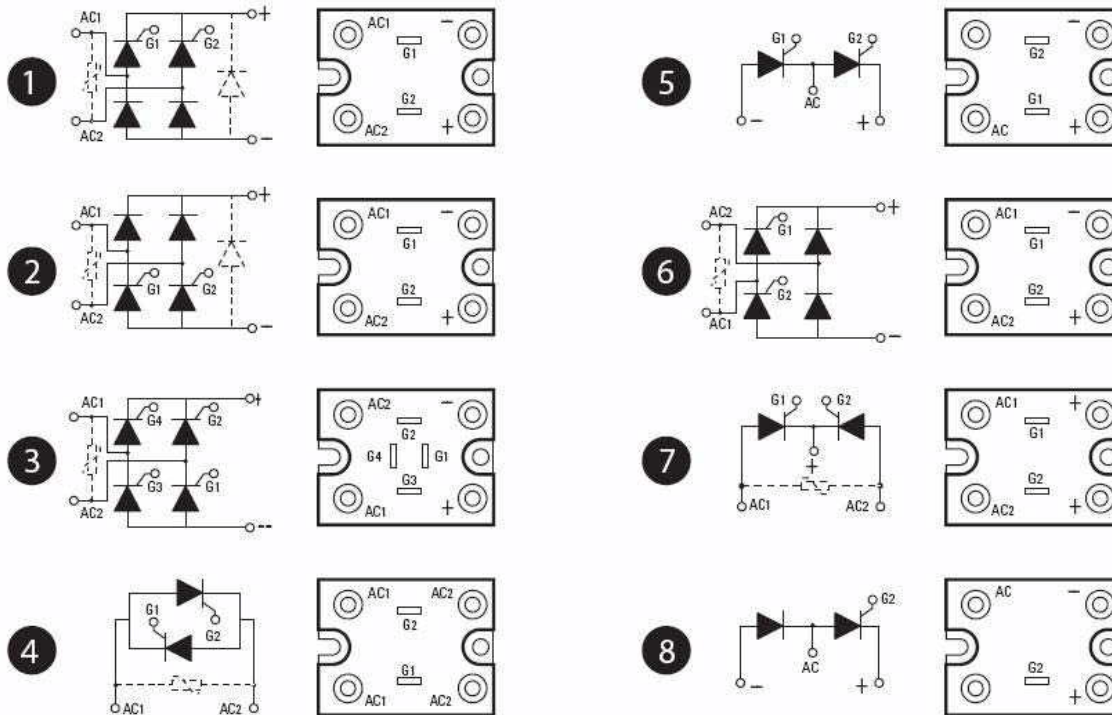
Description		
Weight (typical)	3.75 oz (106g)	3.75 oz (106g)

MECHANICAL SPECIFICATIONS



All dimensions are in inches (millimeters)

CIRCUIT DIAGRAMS



AGENCY APPROVALS

